

PRODUCT CARD

ELECTRIC HEATING ELEMENT

NEX



INTENDED USE

Electric heating element NEX with microprocessor thermostat designed to be mounted in the bathroom and for decorative radiators. The towel warmer equipped with an electric heating element can serve as an electric dryer or hybrid combining to the electric dryer and standard radiator connected to the central heating. Electric heating element can be easily controlled thanks to intuitive usage.

TYPES OF CONNECTION

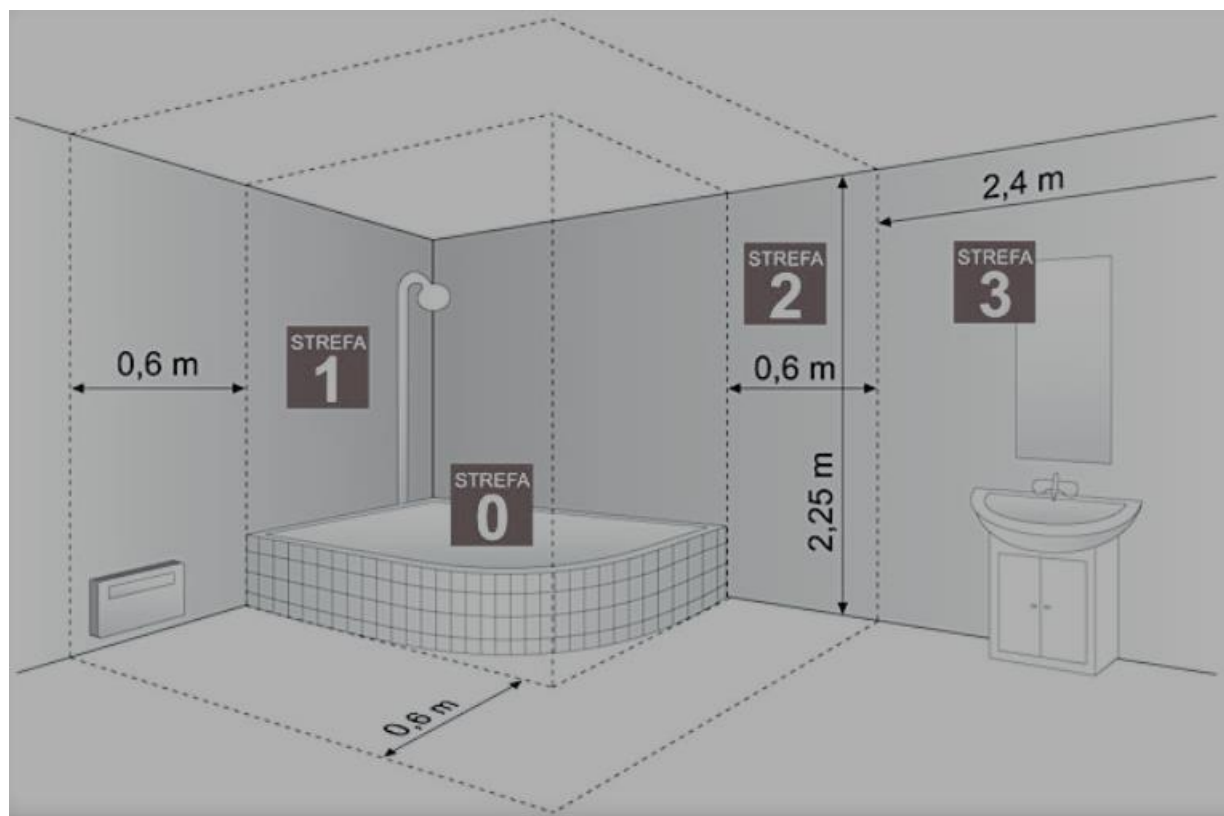
- spiral cable
- straight cable
- masking cable

COLOURS OF THERMOSTATS:

- chrome, white, black, black mat, silver

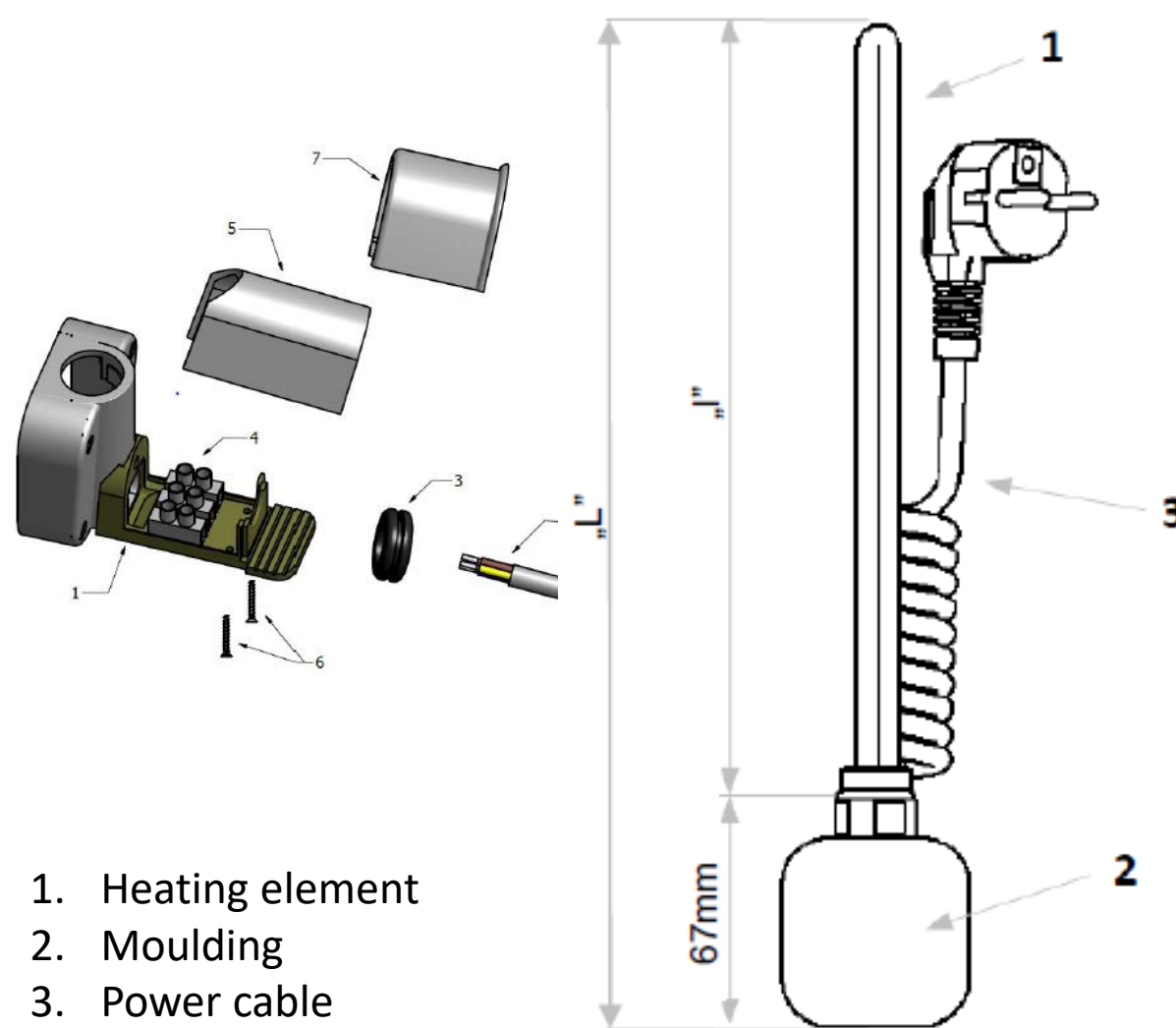
TECHNICAL PARAMETERS

- nominal voltage: option 1: 230V, 50Hz;
option 2: 110V, 60 Hz
- insulation class: option 1: Class I; option 2: Class II
- ingress protection class: IPX5 (ZONE 2 i 3)
- power: 120W, 200W, 300W, 400W, 500W, 600W



Source: NORM PN-EN 60529:2003

| DIMENSION AND WEIGHT | | | |
|----------------------|--------|------------|------------|
| Power | Weight | Lenght "l" | Lenght "L" |
| 120W | 0,40kg | 310 mm | 377mm |
| 200W | 0,39kg | 270mm | 327mm |
| 300W | 0,40kg | 295mm | 362mm |
| 400W | 0,41kg | 330mm | 397mm |
| 500W | 0,42kg | 345mm | 412mm |
| 600W | 0,42kg | 360mm | 427mm |



1. Heating element
2. Moulding
3. Power cable

NEX2

| DATA NEX1.0 | | | |
|-------------|--------|------------|------------|
| Power | Weight | Length "I" | Length "L" |
| 200W | 0,39kg | 270mm | 327mm |
| 300W | 0,40kg | 295mm | 362mm |
| 400W | 0,41kg | 330mm | 397mm |
| 500W | 0,42kg | 345mm | 412mm |
| 600W | 0,42kg | 360mm | 427mm |

NEX1

| DATA NEX1.0 | | | |
|-------------|--------|------------|------------|
| Power | Weight | Length "I" | Length "L" |
| 200W | 0,39kg | 270mm | 327mm |
| 300W | 0,40kg | 295mm | 362mm |
| 400W | 0,41kg | 330mm | 397mm |
| 500W | 0,42kg | 345mm | 412mm |
| 600W | 0,42kg | 360mm | 427mm |

FUNCTIONALITY OF NEX

- timer START-STOP: after max 4 hours the electric heating element turns off
- timer TURBO: after max 4 hours the electric heating element returns to the previous setting,
- timer DELAYED START: switching the device on with the delay max. 8 hours (2h, 4h, 6h, 8h) – operating time max. 4 hours
- 4-stage temperature regulation in the range of 30 ° – 60 ° C
- controller rotation in the range of 0° – 330°
- ANTIFREEZE function
- two-level overheating protection
- aadditional protection against working when "dry"
- low power consumption in standby mode (Ultra-Low-Power)
- dryer function
- intelligent work control – microprocessor control
- visualization in colourful LED technology