



Electric heating element with microprocessor thermostat designed to be mounted in the bathroom and for decorative radiators. The towel warmer equipped with an electric heating element can serve as an electric dryer or hybrid combining the electric dryer and standard radiator connected to the central heating.

### Technical specifications

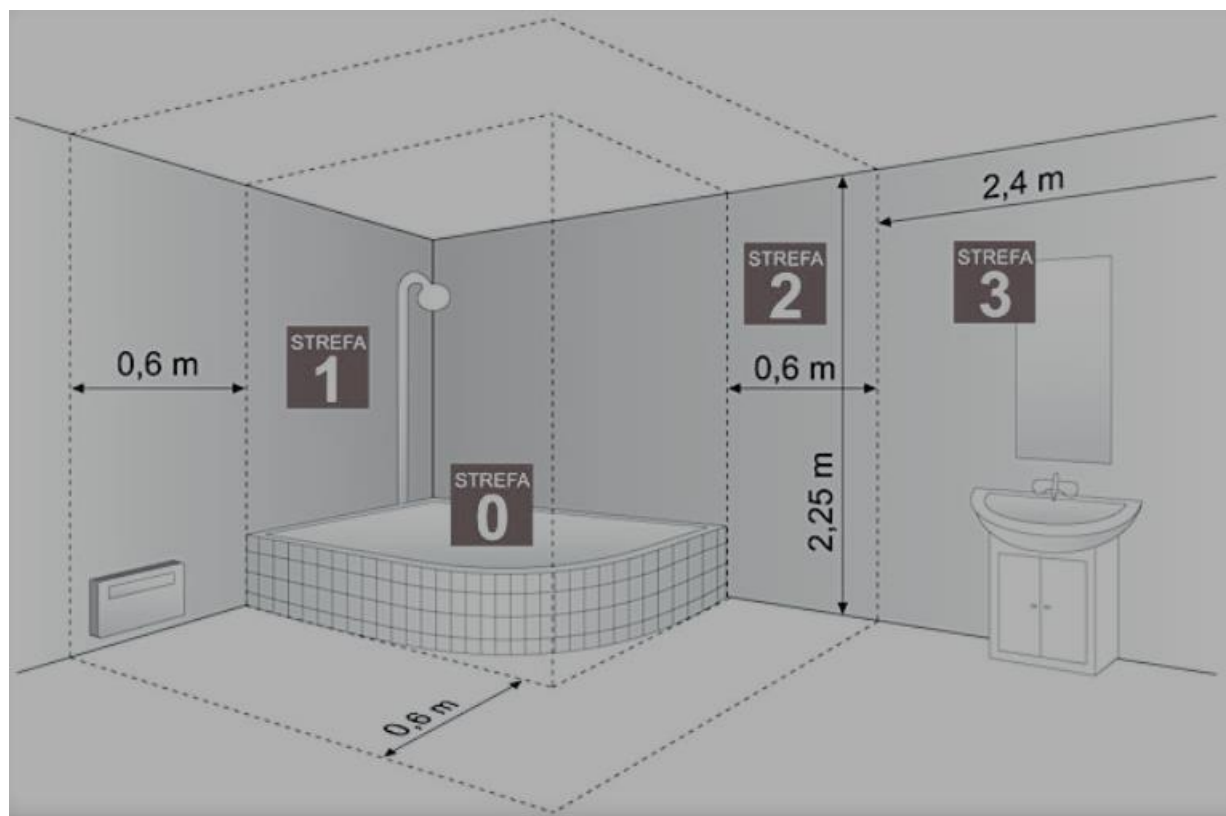
- spiral cable
- straight cable
- masking cable

### Options

- chrome, white, black, black mat, silver

### Technical data

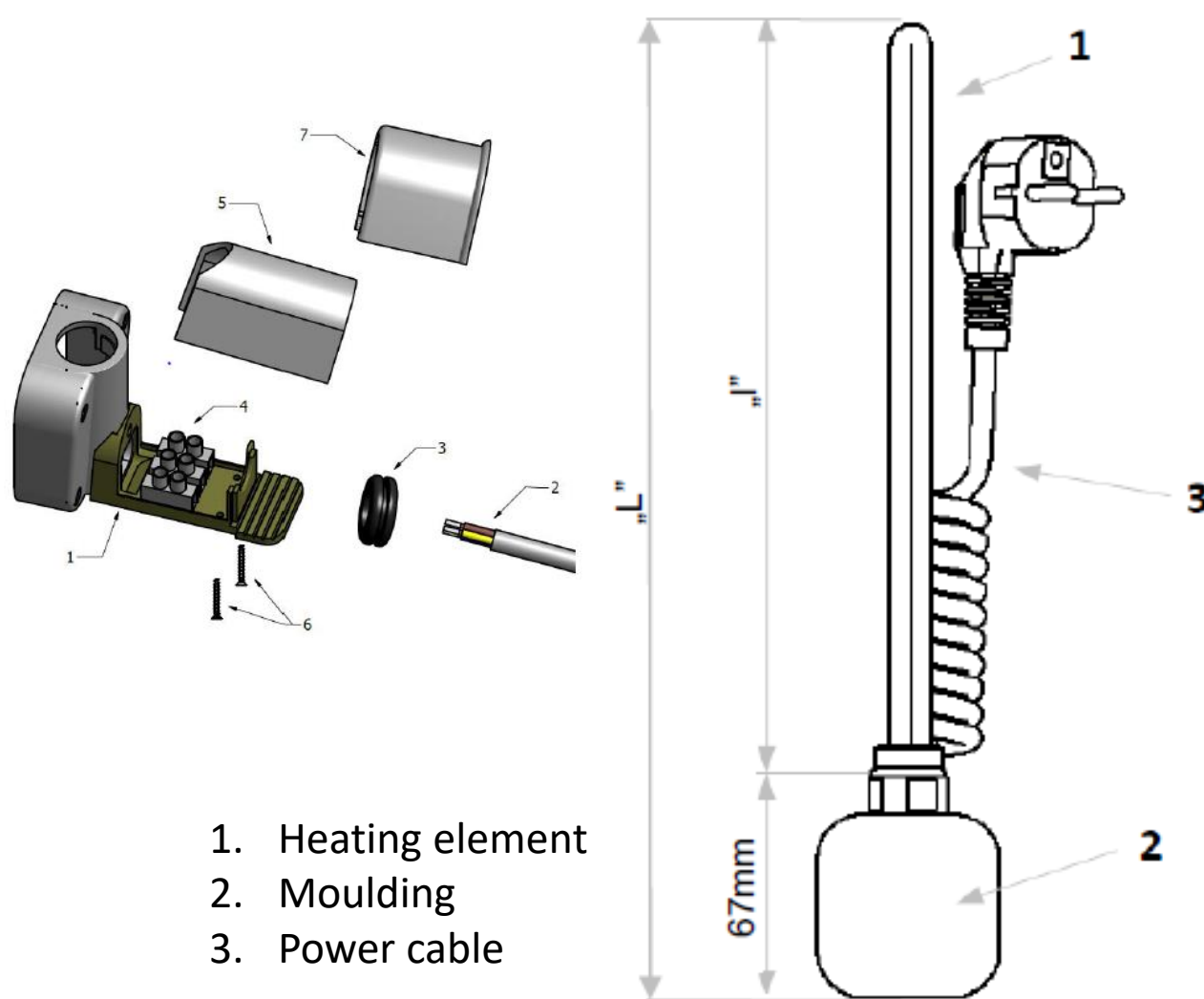
- nominal voltage: option 1: 230V, 50Hz; option 2: 110V, 60 Hz
- insulation class: option 1: Class I; option 2: Class II
- ingress protection class: IPX4 (ZONE 2 i 3)
- power: 120W, 200W, 300W, 400W, 500W, 600W,



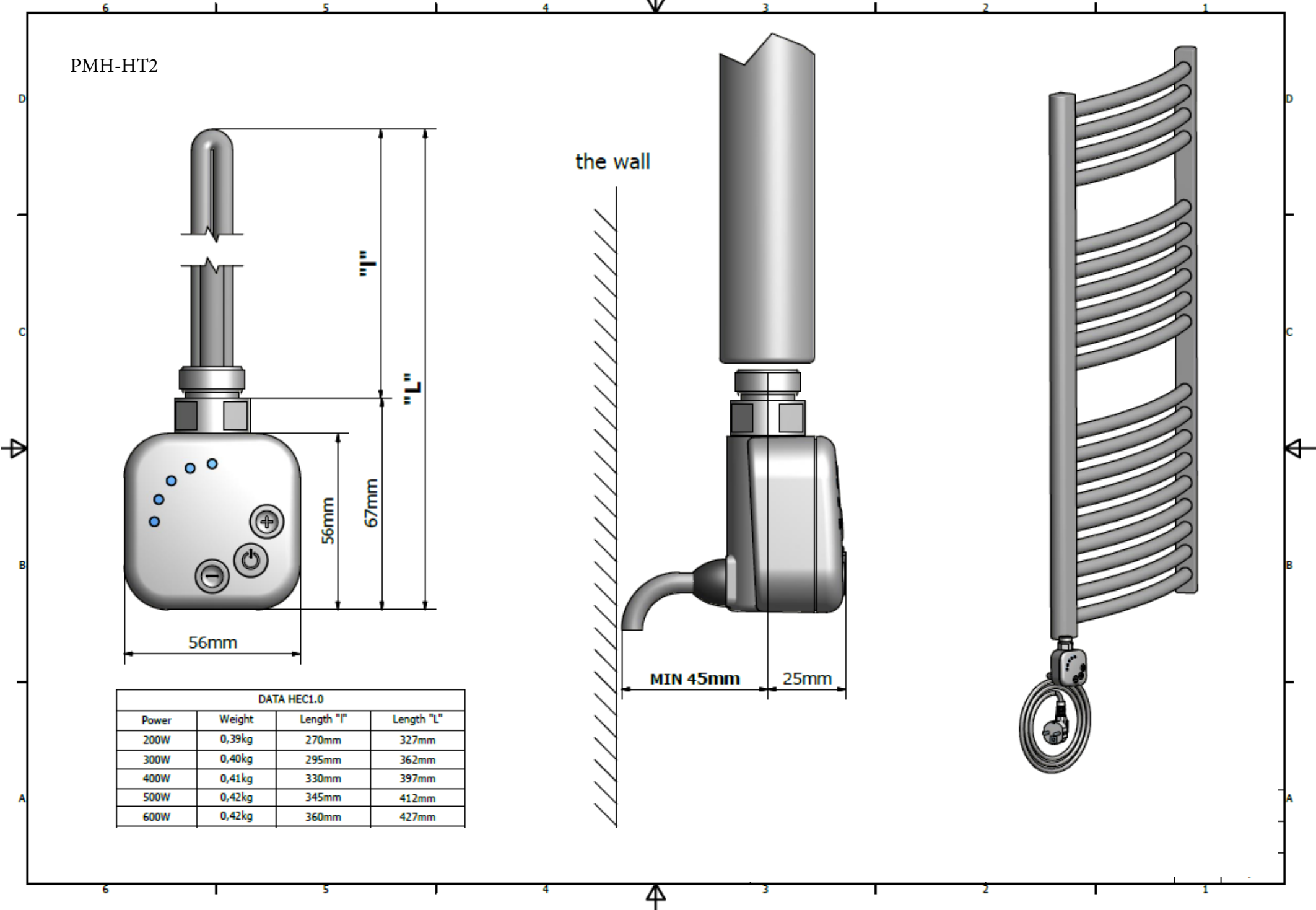
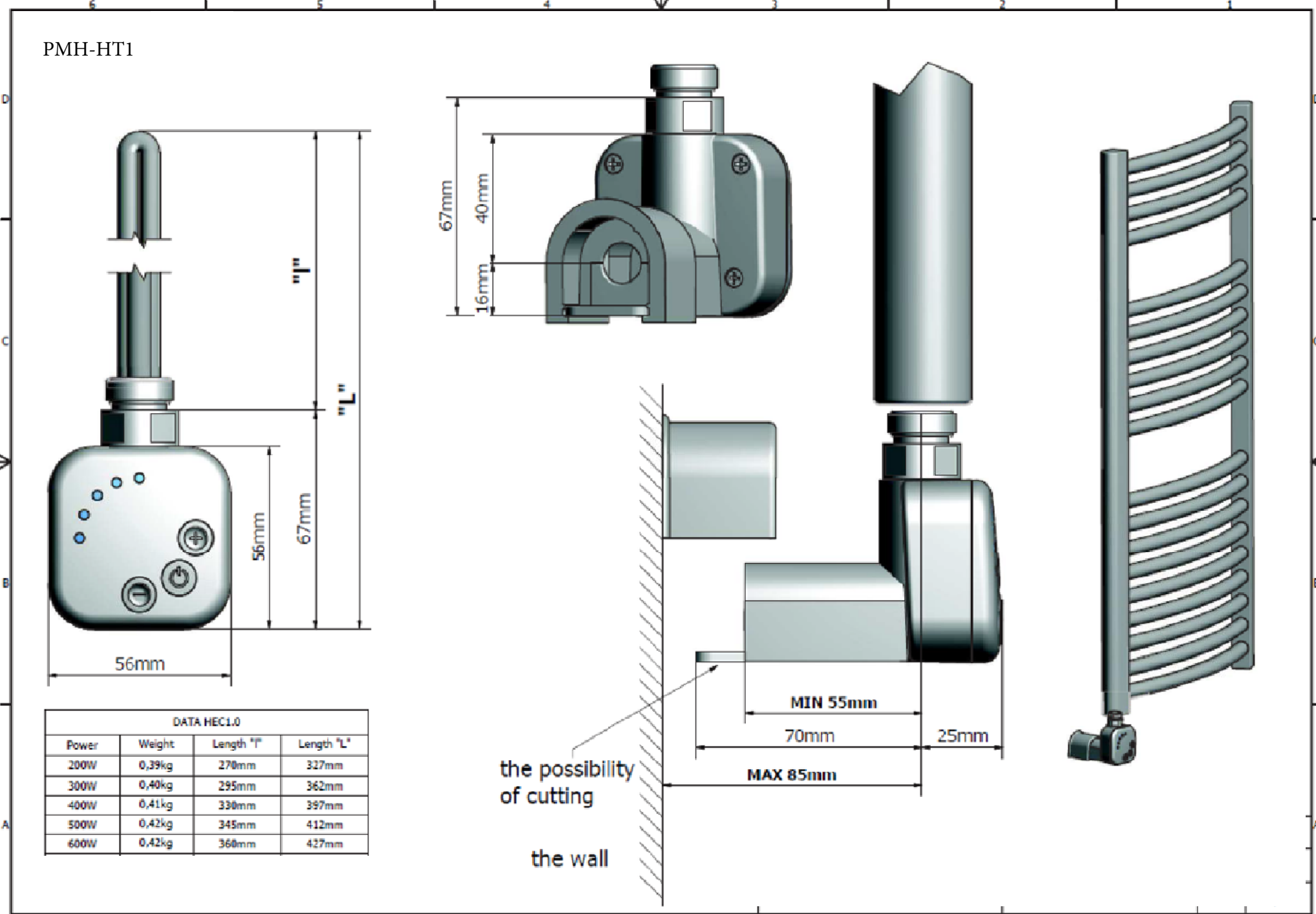
Source: NORM PN-EN 60529:2003

### DIMENSION AND WEIGHT

Power	Weight	Lenght "l"	Lenght "L"
120W	0,40kg	310 mm	377mm
200W	0,39kg	270mm	327mm
300W	0,40kg	295mm	362mm
400W	0,41kg	330mm	397mm
500W	0,42kg	345mm	412mm
600W	0,42kg	360mm	427mm



1. Heating element
2. Moulding
3. Power cable



## FUNCTIONALITY

- timer TURBO – after 2h electric heating element will return to the previous settings
- timer START-STOP– after 2h electric heating element will automatically turn off
- 4-stage temperature regulation in the range of 30 ° – 60 ° C
- controller rotation in the range of 0° – 330°
- ANTIFREEZE function
- two-level overheating protection
- additional protection against working when "dry"
- low power consumption in standby mode (Ultra-Low-Power)
- dryer function
- intelligent work control – microprocessor control
- visualization in colorful LED technology