

SORANO



SORANO - chrome
600 × 1630 mm



Hidden air
valve



SORANO XL - chrome
1210 × 480 mm

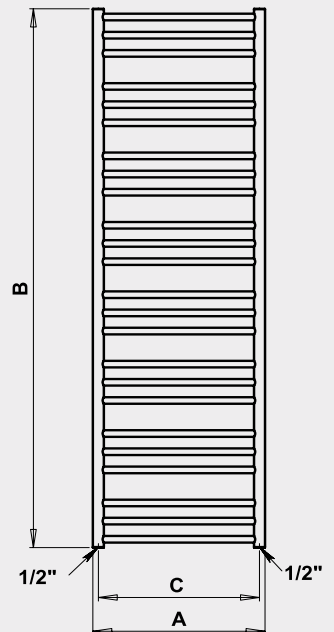
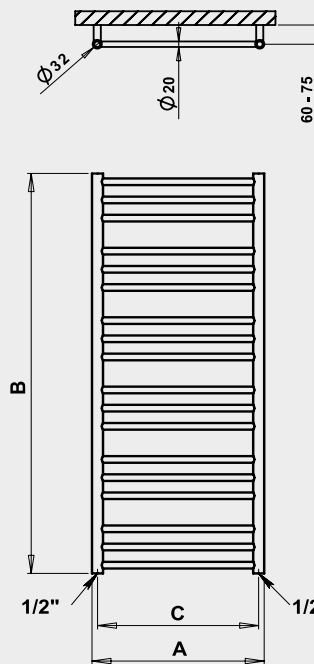
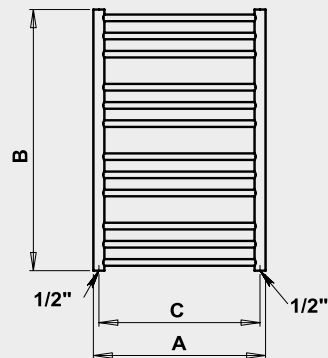
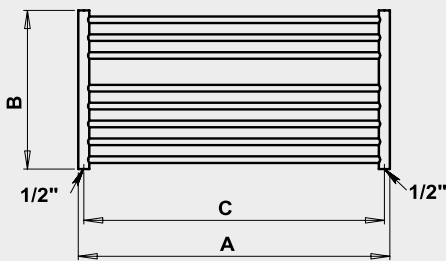
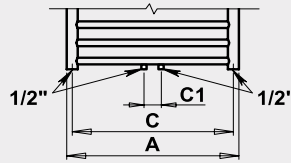
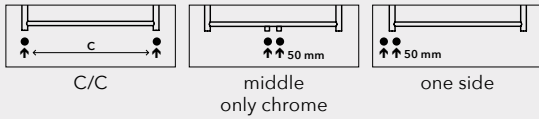
SORANO

Location of "attachment" to the wall: ↓ 80 mm ↑ 80 mm
 Central heating: YES
 Combination heating: YES
 Electric heating: YES
 Horizontal tubes: Ø 20 mm
 Vertical tubes: Ø 32 mm



Middle connection: SORANO-M chrome.

Connection options:



Chrome**	Chrome** middle connection	Brushed stainless	White coated	Other surface finish (coated)*	Width (A) x Height (B) [mm]	HO [W] Δt 20°C***		Weight [kg]	Content [l]	Connection span (C) [mm]	Max. recommended electric heating element [W]
						75/65°C	55/45°C				
SN1C	SN1C-M	SN1SS	SN1W	SN1	500 × 790	248	129	6,0	2,2	468	200
SN2C	SN2C-M	SN2SS	SN2W	SN2	600 × 790	325	169	6,9	2,5	568	200
SN3C	SN3C-M	SN3SS	SN3W	SN3	500 × 1210	374	194	9,1	3,4	468	300
SN4C	SN4C-M	SN4SS	SN4W	SN4	600 × 1210	470	244	10,5	3,8	568	300
SN5C	SN5C-M	SN5SS	SN5W	SN5	500 × 1630	498	259	10,9	4,4	468	400
SN6C	SN6C-M	SN6SS	SN6W	SN6	600 × 1630	626	326	12,5	5,0	568	400
Horizontal design											
SNLC	–	SNLSS	SNLW	SNL	905 × 480	299	155	7,5	2,3	873	200
SNXLC	–	SNXLSS	SNXLW	SNXL	1210 × 480	387	201	8,7	2,8	1175	300

*Other surface finishes see page 78. **Heat output of chrome versions can be 20% lower.

***Calculation of temperature gradients can be viewed on www.pmh-co.cz.

L and XL versions are not recommended for heating only with electric heating element.