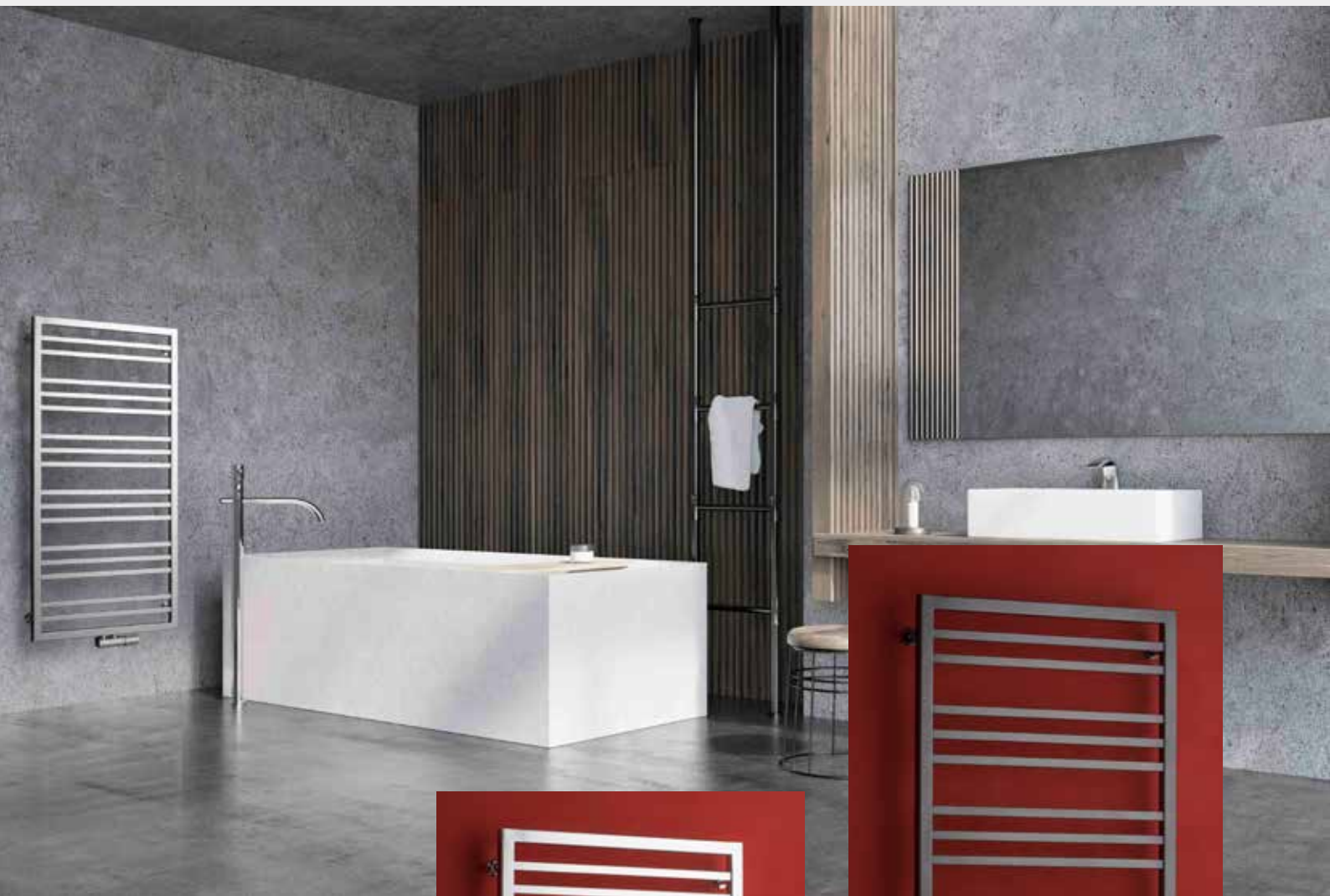


AVENTO FRAME



AVENTO - chrome
600 × 1210 mm

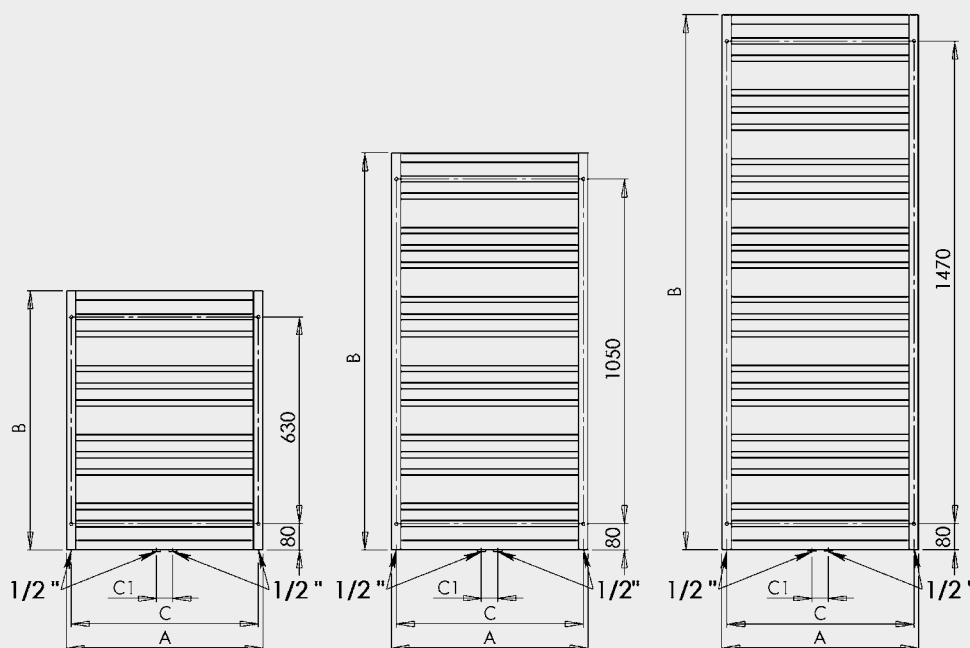
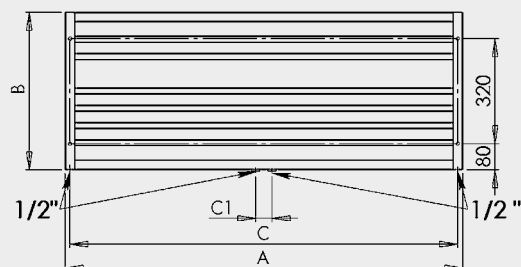
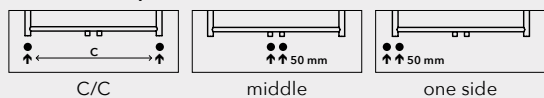


AVENTO - anthracite coated
600 × 1630 mm

AVENTO FRAME

Location of "attachment" to the wall: ↓ 80 mm ↑ 80 mm
 Central heating: YES
 Combination heating: YES
 Electric heating: YES
 Horizontal profile: 20 × 20 mm
 Vertical profile: 30 × 30 mm

Connection options:



Chrome**	White coated	Other surface finish (coated)*	Width (A) x Height (B) [mm]	HO [W] Δt 20°C***		Weight [kg]	Content [l]	Connection span (C/C1) [mm]	Max. recommended electric heating element [W]
				75/65°C	55/45°C				
AVF1C	AVF1W	AVF1	500 × 790	310	161	7,5	2,7	470/50	200
AVF2C	AVF2W	AVF2	600 × 790	407	212	8,5	3	570/50	300
AVF3C	AVF3W	AVF3	500 × 1210	468	243	11,1	4	470/50	300
AVF4C	AVF4W	AVF4	600 × 1210	588	306	12,9	4,6	570/50	300
AVF5C	AVF5W	AVF5	500 × 1630	622	323	14,8	5,3	470/50	400
AVF6C	AVF6W	AVF6	600 × 1630	783	407	17,2	6,2	570/50	500
Horizontal design									
AVFLC	AVFLW	AVFL	905 × 480	422	219	8,7	2,7	875/50	300
AVFXLC	AVFXLW	AVFXL	1210 × 480	484	252	11,2	3,4	1180/50	300

*Other surface finishes see page 78. **Heat output of chrome versions can be 20% lower.

***Calculation of temperature gradients can be viewed on www.pmh-co.cz.