

ULYSSES



ULYSSES U7SS - stainless steel
with valve COMBI
500 × 1294 mm



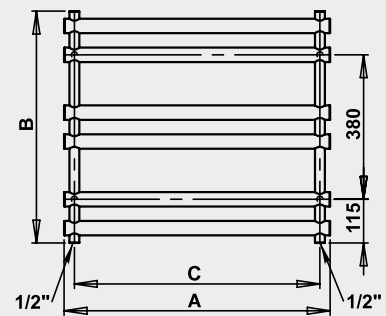
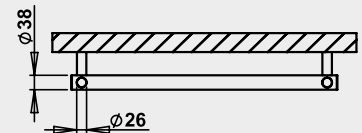
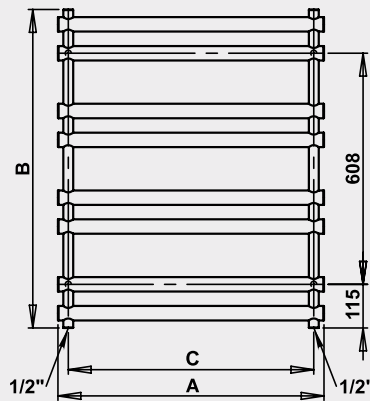
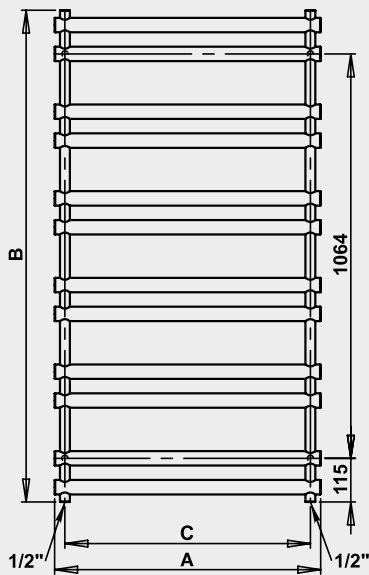
ULYSSES U4A - anthracite
with valve COMBI
500 × 838 mm



ULYSSES U5C - chrome
700 × 838 mm

Location of "attachment" to the wall: ↓ 115 mm ↑ 115 mm
 Central heating: YES
 Combination heating: YES
 Electric heating: YES
 Horizontal tubes: Ø 38 mm
 Vertical tubes: Ø 26 mm

Connection options:



Chrome**	Brushed stainless	Other surface finish (coated)*	Width (A) x Height (B) [mm]	HO [W] Δt 20°C***		Weight [kg]	Content [l]	Connection span (C) [mm]	Max. recommended electric heating element [W]
				75/65°C	55/45°C				
U1C	U1SS	U1	500 × 610	200	104	5,0	3,0	446	200
U4C	U4SS	U4	500 × 838	268	139	6,7	4,1	446	200
U5C	U5SS	U5	700 × 838	359	187	8,8	5,6	646	300
U6C	U6SS	U6	900 × 838	450	234	11,0	7,2	846	300
U7C	U7SS	U7	500 × 1294	405	211	10,0	6,2	446	300
U8C	U8SS	U8	700 × 1294	542	282	13,2	8,5	646	400

*Other surface finishes see page 78. **Heat output of chrome versions can be 20% lower.

***Calculation of temperature gradients can be viewed on www.pmh-co.cz.