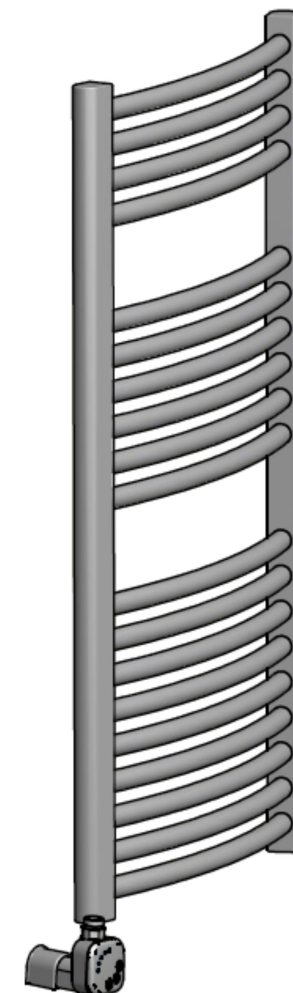
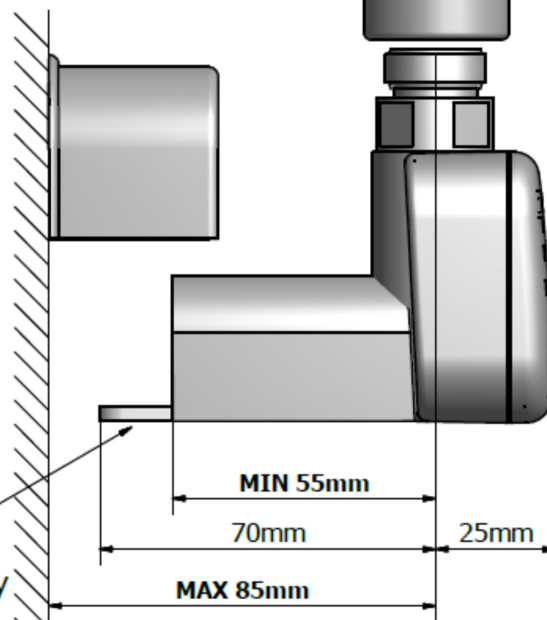
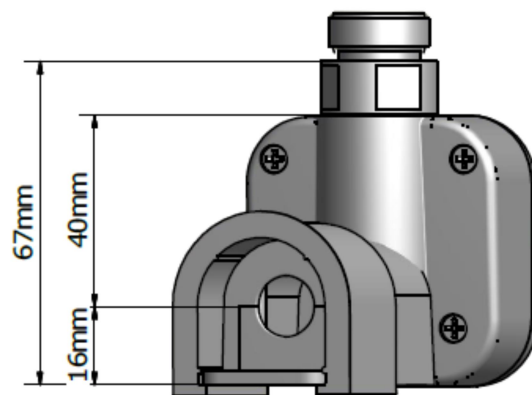
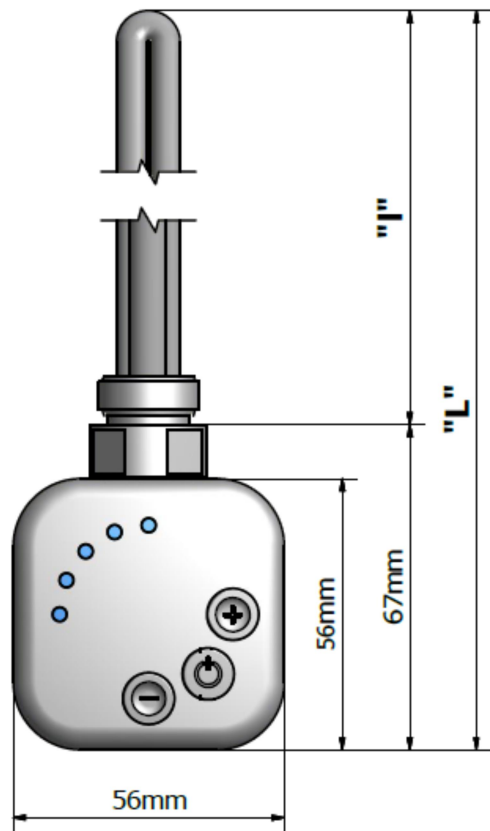


PMH-HT1 - skryté připojení



PMH-HT1			
Power	Weight	Length "I"	Length "L"
200W	0,39kg	270mm	327mm
300W	0,40kg	295mm	362mm
400W	0,41kg	330mm	397mm
500W	0,42kg	345mm	412mm
600W	0,42kg	360mm	427mm
800W	0,45kg	470mm	537mm
1000W	0,48kg	560mm	627mm

the possibility of cutting

the wall

